

Handling System for Rack Type Dishwasher Loading & Unloading Table, 1600mm

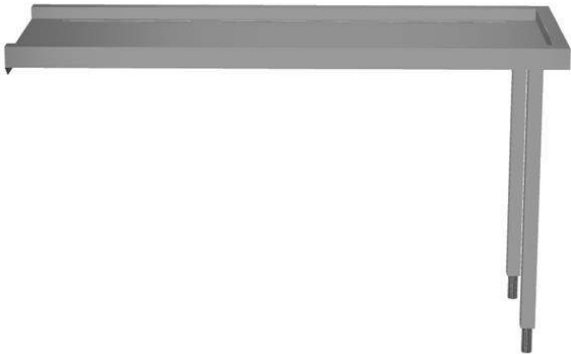
ITEM # _____

MODEL # _____

NAME # _____

SIS # _____

AIA # _____



865401 (BHRLU16)

 Dishwasher table, loading/
unloading, 1600 mm

Short Form Specification

Item No.

For rack type dishwashers. Constructed in 304 AISI stainless steel. N.2 square 40x40mm square legs on height-adjustable feet. Basket direction: from right to left and from left to right.

Main Features

- The table intended to connect directly with the rack type dishwasher on loading and/or unloading side.
- Suitable to be installed alone with the rack type dishwasher to save space.
- Supplied knocked-down and easy to assemble.
- Designed to transport 500x500 mm dishwashing baskets.

Construction

- 304 AISI stainless steel construction throughout.
- Stainless steel feet 50 mm adjustable in height to ensure that tables drain back into the dishwasher.
- Deep anti-drip profiles completely folded with lower edge for safe and easy cleaning.
- All surfaces smooth with polished finish.
- 40x40 mm square tubular legs in AISI 304 stainless steel.
- Optionally equipped with plain undershelves and end limit switch.
- To be secured to the dishwasher and fitted with one pair of legs at the other end.
- Optional splash back available to align the table with the rack type dishwasher and to prevent water spatter.

Optional Accessories

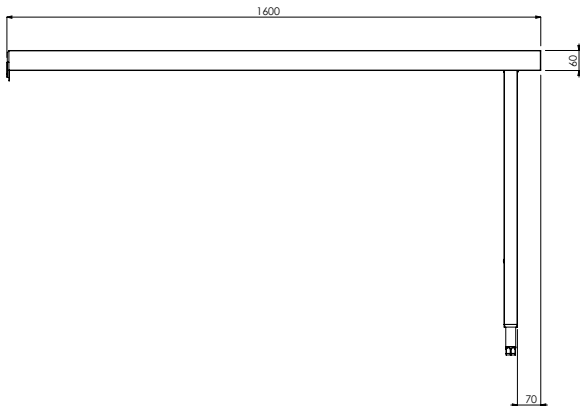
- 2 legs for floor mounted storing shelf PNC 855296
- End limit switch for basic unloading tables PNC 865385
- Floor fastening kit for 2 square legs PNC 865386
- Removable bridge table, 800 mm PNC 865418
- Removable bridge table with hole, 800 mm PNC 865419
- Wall/floor mounted storing shelf, 1600 mm PNC 865421
- Small splashback (to be aligned with the back of the Rack Type Dishwasher), 1600 mm PNC 865424
- Undershef for dishwasher table, 1600 mm PNC 865482

APPROVAL: _____

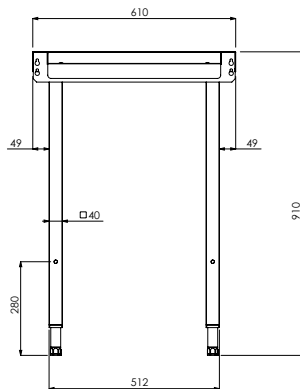
Key Information:

External dimensions, Width:	1600 mm
865401 (BHRLU16)	
External dimensions, Depth:	610 mm
External dimensions, Height:	910 mm
Net weight:	17 kg

Front



Side



Top

